



Unleashed M510 Access Point Quick Setup Guide

This *Quick Setup Guide* provides step-by-step instructions on how to set up your Ruckus Networks Unleashed M510 Dual Band 802.11ac Wi-Fi + LTE Access Point.

After completing the steps described in this guide, you will be able to place the Access Point (AP) at your site and begin providing wireless network access to users.

For detailed information on configuration and administration of your Ruckus Unleashed M510 AP, refer to the *Unleashed Online Help*, available from <https://docs.ruckuswireless.com/unleashed/200.7/index.html>.

This Guide in Other Languages

- 请从以下网站获得该指南的简体中文版 <https://support.ruckuswireless.com>.
- Vous trouverez la version française de ce guide à l'adresse suivante <https://support.ruckuswireless.com>.
- このガイドの日本語版は <https://support.ruckuswireless.com> でご覧ください。
- 이 가이드의 한국어 버전은 웹 사이트 (<https://support.ruckuswireless.com>) 에서 확인하시기 바랍니다.
- Veja a versão em português (Brasil) deste guia em <https://support.ruckuswireless.com>.
- Puede ver la versión en español (América Latina) de esta guía en <https://support.ruckuswireless.com>.

Before You Begin

Before deploying Ruckus Wireless products, please check for the latest software and the release documentation.

- Release Notes and other user documentation are available at <http://support.ruckuswireless.com/documents>.
- Software upgrades are available at <http://support.ruckuswireless.com/software>.
- Open source information is available at <http://opensource.ruckuswireless.com>.
- Software license and limited warranty information are available at <http://support.ruckuswireless.com/warranty>.

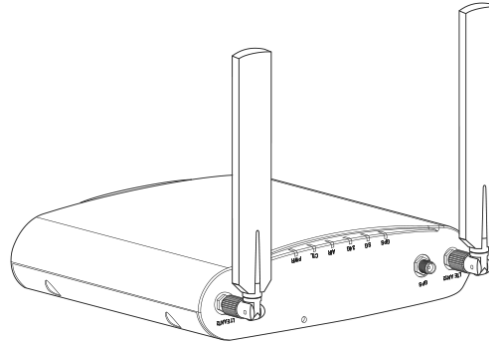
Unleashed M510 Package Contents

The Unleashed M510 Access Point installation package includes all of the following:

- M510 Dual-Band 802.11ac Wave 2 Access Point with LTE Backhaul
- GPS antenna

- 2 LTE antennas
- T-bar mounting bracket and T-bar mounting clip
- 2 plastic wall anchors and #8 mounting screws
- Unit removal pin
- Service Level Agreement/Limited Warranty Statement
- Declaration of Conformity, Regulatory Statement
- This Quick Setup Guide

FIGURE 1 M510 Access Point



Sold Separately

The following optional accessories are sold separately.

- 12V DC power supply
- Flange Mount Bracket Kit

Required Hardware and Tools

- No. 2 Phillips screwdriver
- T8 Security Torx driver for SIM slot cover
- 802.3af or 802.3at-compliant Power over Ethernet (PoE) switch or PoE injector for PoE power
- Electric drill with drill bit for flat-surface mounting

Initial Setup

Perform the initial setup depending on your deployment scenario.

The M510 can be connected to WAN via LTE or via Ethernet (with the LTE connection as a backup for WAN failover).

Attach the two LTE antennas and (optionally) the GPS antenna, and perform the initial setup according to your deployment scenario:

- **Mobile Environment:** M510 configured as Master AP in Gateway Mode with an LTE connection as the uplink WAN port.
- **LTE Backup Environment:** M510 in Gateway Mode with the Ethernet port as the WAN port and the LTE connection as the backup WAN port, only one of which can be active at any time. If the Ethernet connection goes down, the LTE connection becomes active to provide a backup internet uplink.

NOTE: If you are using Ethernet as the primary WAN link with LTE as a backup, connect an Ethernet cable to the **WAN port**.

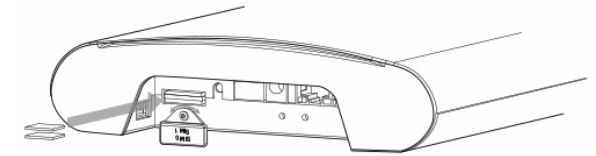
NOTE: M510 does not support deployment as the Master AP in Bridge mode or as a member AP. Only Master AP in Gateway mode is supported.

NOTE: Write down the IMEI number of the M510, printed on the gift box, and also on the AP. This may be required by your mobile service provider to activate your data plan.

Inserting the SIM Cards

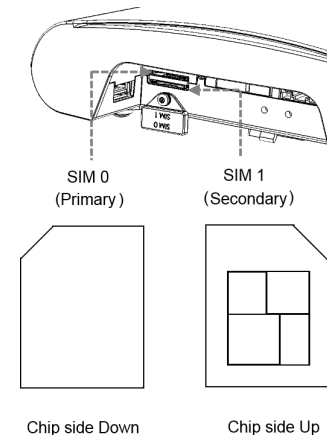
Plug an activated SIM card into the primary slot, and optionally, a second SIM card into secondary slot for redundancy.

FIGURE 2 Rotate SIM card cover, insert SIM card(s)



- Insert the Primary SIM card into the top slot (when the AP is upright). Ensure that you insert the Primary SIM card with the copper side facing *down*, and the notch to the *left* side.
- Insert the Secondary SIM card into the bottom slot. Ensure that you insert the secondary SIM card with the copper side facing *up*, and the notch to the *right* side.

FIGURE 3 The orientation of the two SIM cards is reversed, be sure to insert them correctly



NOTE: The M510 supports Micro-SIM sized SIM cards only. The orientation of the SIM cards is different, be sure to insert the SIM cards correctly. Inserting the SIM cards incorrectly will result in the inability to use the LTE functionality.

NOTE: If the SIM card is inserted or replaced after bootup, a reboot is required.

Unleashed Network Configuration

Setup Using the Unleashed Mobile App

To perform setup using the Unleashed Mobile App, download the iOS or Android app from the app store.

1. As soon as the Unleashed AP is powered on and connected to the local network, it boots up and begins broadcasting a temporary unencrypted WLAN named "Configure.Me-[xxxxxx]" from both radios.
2. Using your client's Wi-Fi connection settings, select and associate to the "Configure.Me-[xxxxxx]" WLAN.
3. Launch the app, and follow the on-screen instructions to configure your Unleashed network(s).

FIGURE 4 Unleashed Mobile App for iOS and Android

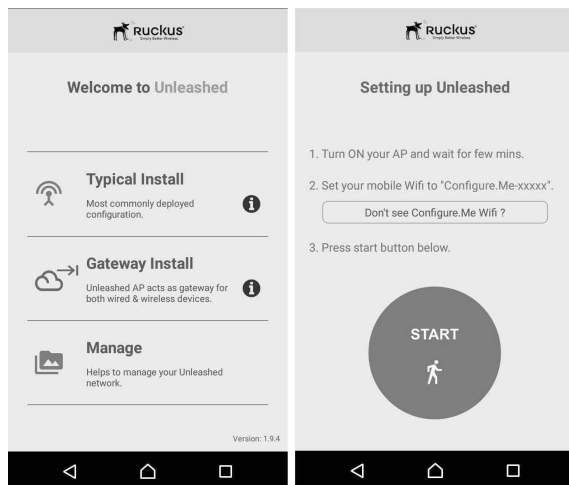
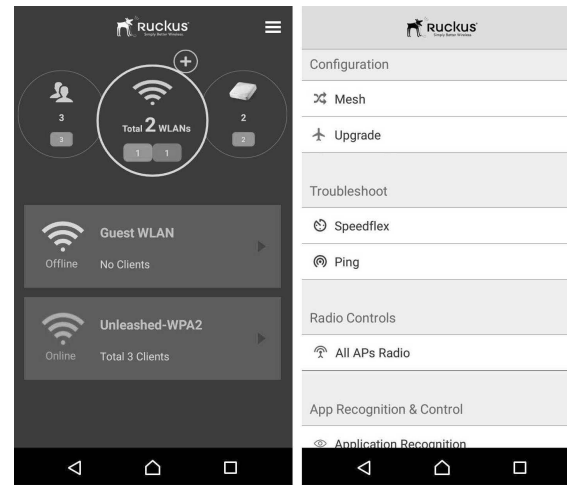


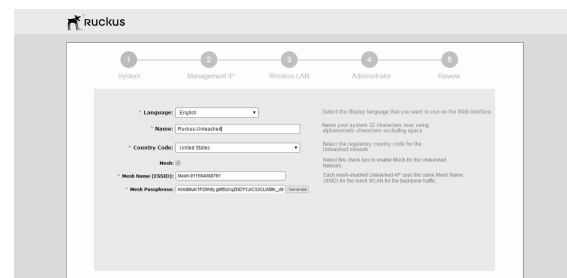
FIGURE 5 Configuring Unleashed from the Mobile App



Setup Using a Web Browser

1. As soon as the Unleashed AP is powered on and connected to the local network, it boots up and begins broadcasting a temporary unencrypted WLAN named "Configure.Me-[xxxxxx]" from both radios.
2. Using your client's Wi-Fi connection settings, select and associate to the "Configure.Me-[xxxxxx]" WLAN.
3. Launch a web browser and enter the following into the browser's URL bar: *unleashed.ruckuswireless.com*, and press **Enter**.
4. You will be redirected to the Setup Wizard. Complete the steps in the Setup Wizard and click **Finish**.

FIGURE 6 Complete the Setup Wizard to set up your Unleashed network



5. Once the Setup Wizard is finished, a "Configuring system settings and rebooting" progress screen appears. Wait until the process is complete.

6. Connect to the WLAN that you configured in the Setup Wizard, and click OK to reconnect. You will be redirected to the Unleashed login screen.
7. Enter your Admin Name and Password to login.

FIGURE 7 The Login page



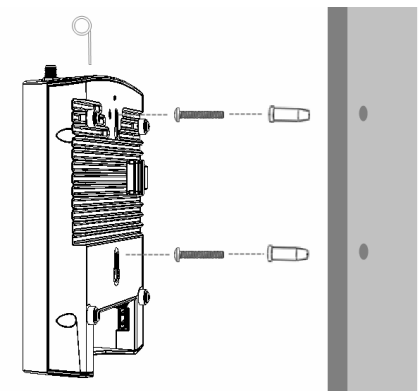
8. Upon successful login you will be presented with the Unleashed Dashboard, which displays an overview of your Ruckus Unleashed network.

Mounting Instructions

Mounting on a Flat Surface

1. Use the Mounting Template on the last page of this Quick Setup Guide as a template to mark the locations for drill holes on the mounting surface.
2. Use a 5mm drill bit to drill holes approximately 25mm into the mounting surface.
3. Insert the anchors and mounting screws into the mounting surface, leaving approximately 1/4" (6 mm) of the screw heads protruding for the AP enclosure.
4. To remove the AP, insert the unit removal pin into the hole on the top of the AP to unlock, then push the AP up to release the AP enclosure from the mounting screws.

FIGURE 8 Flat surface mounting



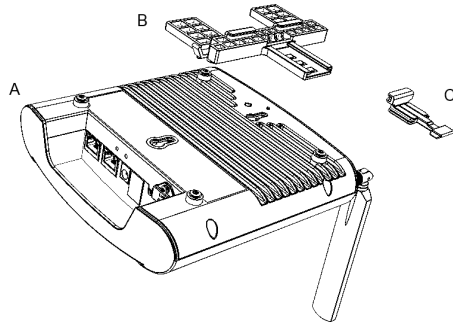
Mounting on a Recessed Drop-Ceiling T-Bar

NOTE: This mounting bracket can also be used on a flush drop-ceiling T-bar, so the four rubber feet on the bottom of the AP minimize ceiling tile displacement.

To mount the AP using the external T-bar bracket:

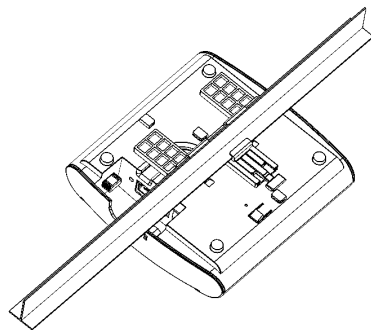
1. Position the studs on the bottom of the T-bar bracket (B) in the mounting holes on the AP enclosure (A), and then slide the T-bar bracket until the studs are in the narrow parts of the AP mounting keyholes. The mounting bracket locks in place on the AP enclosure.

FIGURE 9 Attaching the external bracket to the AP



2. Attach the locking tab (C) to one side of the T-bar and the bracket (B) to the other side of the T-bar.
3. Slide the locking tab (C) into the bracket (B) so that it locks in place around the T-bar. Make sure that both clasps are gripping the T-bar.

FIGURE 10 Attaching the external bracket to the T-Bar

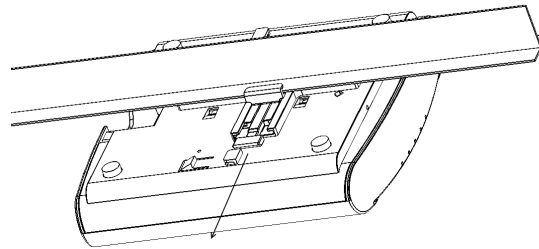


Removing an External Bracket from a T-Bar

1. Move the ceiling tiles out of the way.

2. Slide the locking tab away from the T-bar to release the AP-bracket assembly from the T-bar.
3. The AP bracket assembly comes away from the T-bar.

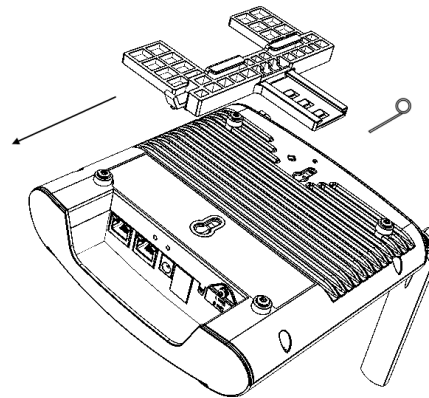
FIGURE 11 Removing the external bracket from the T-bar



Removing the External Bracket from the AP

1. Insert the unit removal pin into the hole on the front of the AP to unlock the mounting bracket from the AP enclosure.
2. Slide the mounting bracket toward the Ethernet ports on the AP until it detaches from the AP.

FIGURE 12 Removing the external bracket from the AP



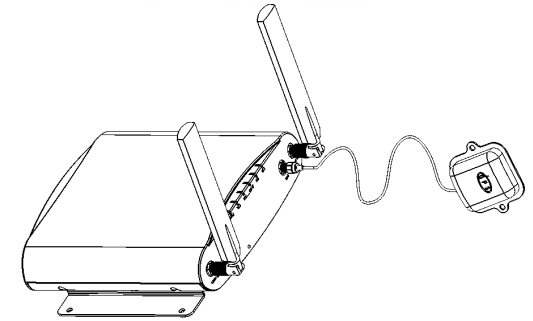
Attaching the GPS Antenna

The M510 includes an external GPS antenna that can be used for device tracking in use cases such as in-vehicle Wi-Fi installations. The GPS antenna has a magnet so that it can be attached anywhere on the vehicle, and receives power through the RF cable connected to the M510.

1. Connect the GPS antenna cable to the **GPS** cable connector on the M510.

2. Mount the GPS antenna to any surface. The antenna can be mounted to the roof of the vehicle for optimal GPS signal reception, or near a window inside the vehicle if roof mounting is impractical.
3. Log into the AP or controller web interface to verify the GPS coordinates.

FIGURE 13 M510 external GPS antenna



For More Information

For more information on configuration, administration and operation of the AP, refer to the *Ruckus Wireless Indoor Access Point User Guide*, available from the Ruckus Support website: support.ruckuswireless.com.

© 2018 ARRIS Enterprises LLC. All rights reserved.

ARRIS, the ARRIS logo, Ruckus, Ruckus Wireless, the Ruckus logo, and the Big Dog design are trademarks of ARRIS International plc and/or its affiliates. All other trademarks are the property of their respective owners.

